

12V L.E.D Awning Lamp with PIR Sensor

INPUT VOLTAGE RANGE: 12 Volt

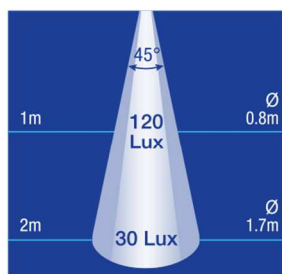
CURRENT DRAW: 0.5A at 12V

LP RATING: IP66

DIMENSION:

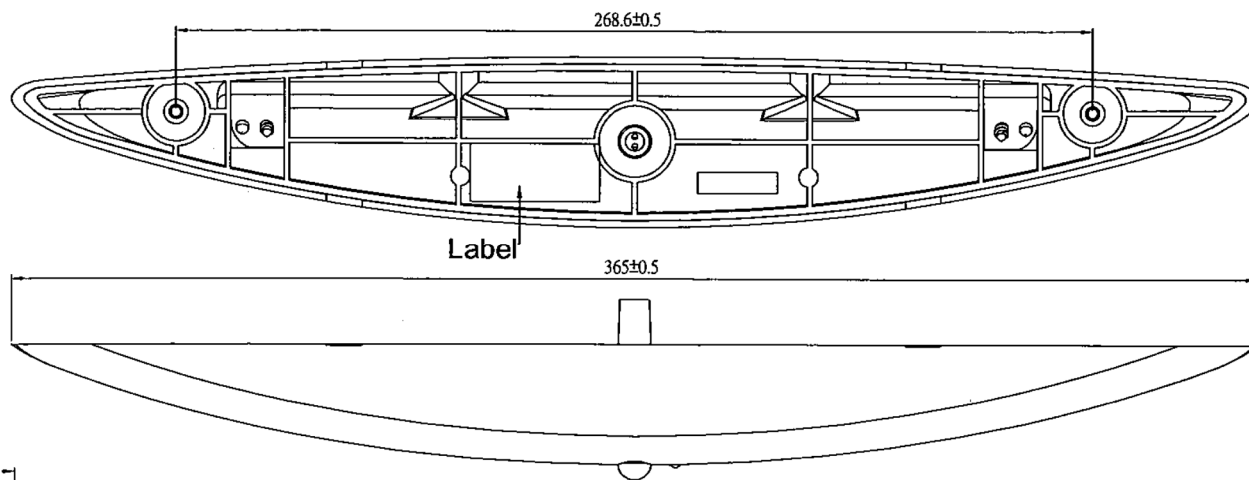


BEAM PATTERN:

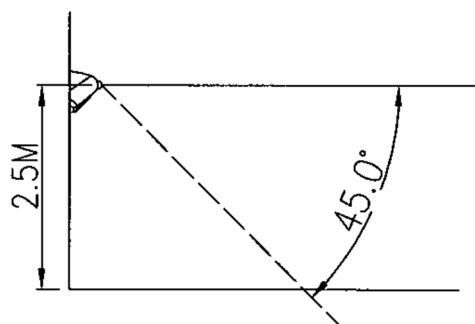


INSTALLATION INSTRUCTIONS:

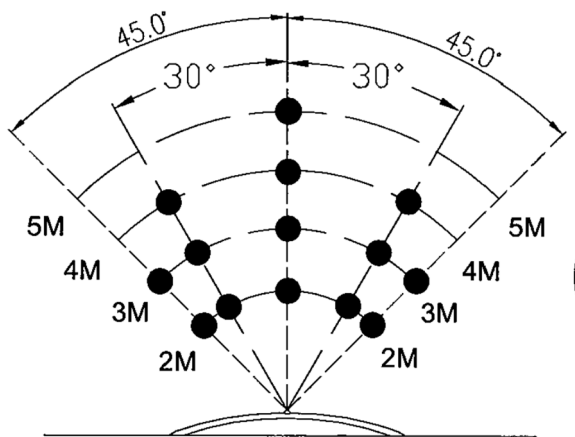
- Remove white casing from lamp assembly by unclipping from the rims of the lamp
- Drill a 10mm pilot hole to suit the cable exit
- Drill 2 x 3mm pilot hole to suit screws for distance of 268.6mm



- Install screws or rivets and secure base to mounting surface
- Clip white cover back onto base
- The PIR will activate the lamp when it senses movement within detective range as shown below. PIR sensor will only activate lamp in dark conditions.



Vertical



Horizontal Detecting Range

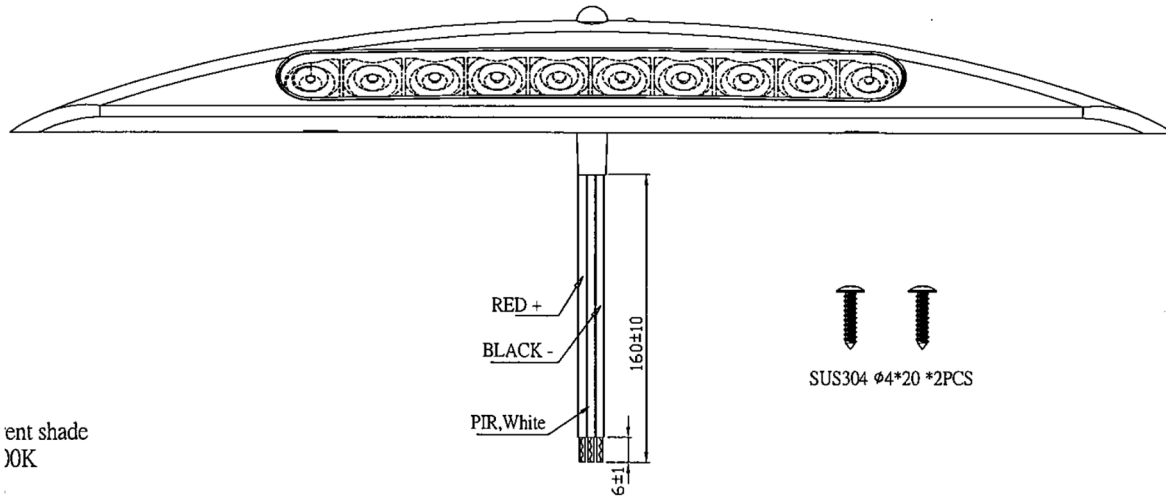
● Wiring instructions

Red: Positive (+)

Black: Negative (-)

White (PIR): Negative (-)

When wiring the PIR Awning Lamp, a 3-way switch can be used to allow the lamp to be turned on/off permanently. As well as switching the PIR function on separately, the lamp will then only illuminate when the PIR sensor is activated.



ent shade
)OK