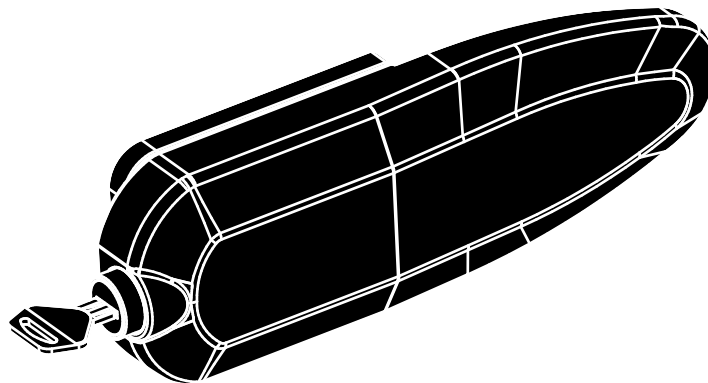
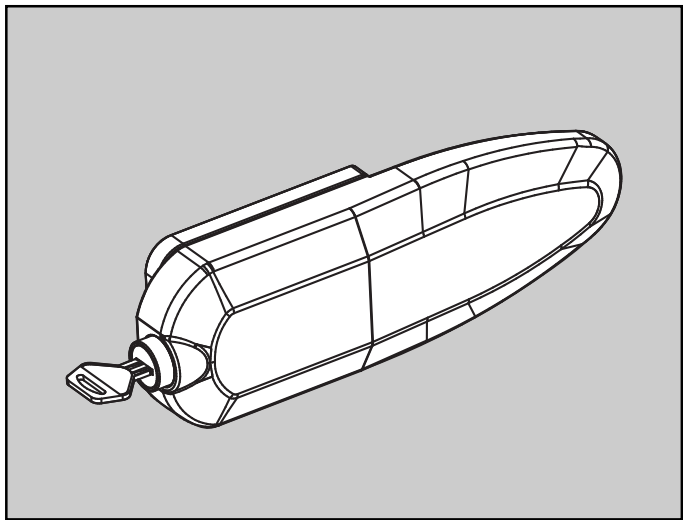
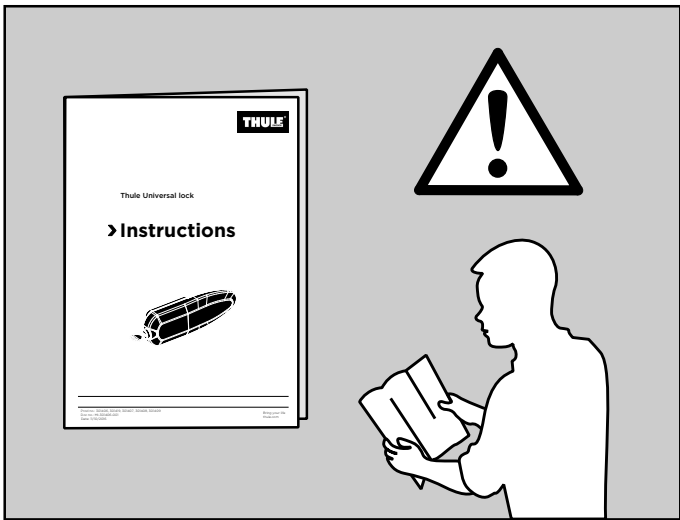


Thule Universal lock

➤ Instructions





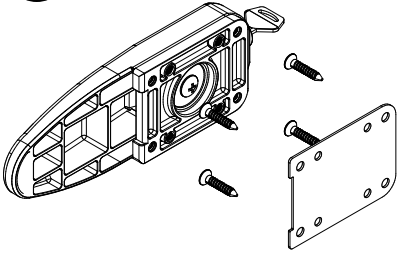
(A)	x4 M6 x 10	
(B)	x4 M6	
(C)	x4 M6	
(D)	x4 4,2 x 25	
(E)	x2 4,2 x 38	
(F)	x4 M6 x 45	

Thule Universal lock

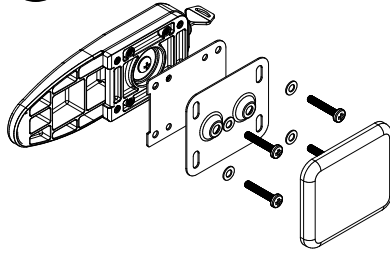
“One Lock fits all”, 3 different mounting options with the same lock !

1 Mounting options

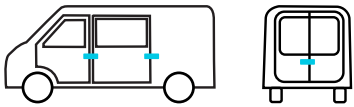
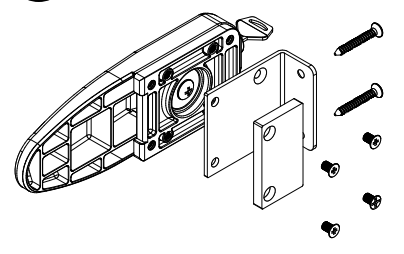
①



②



③



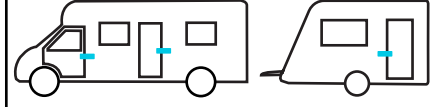
Surface mounted installation

For sliding door, cabin doors or double rear doors of a Van.



Wall mounted installation

For Motorhome or Caravan entrance door, garage door or hatches.



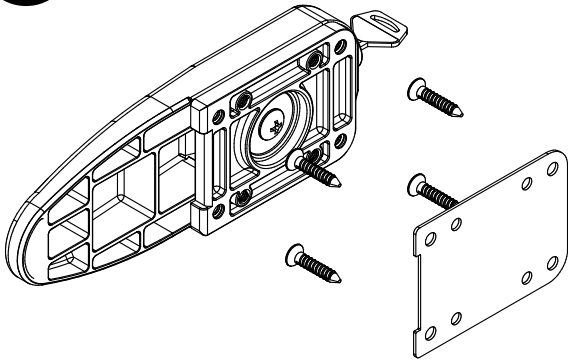
Door frame mounted installation

For Motorhome or Caravan entrance door, garage door or hatches.

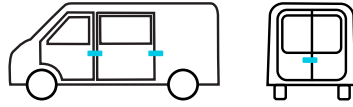


1.1 Surface mounted installation

1

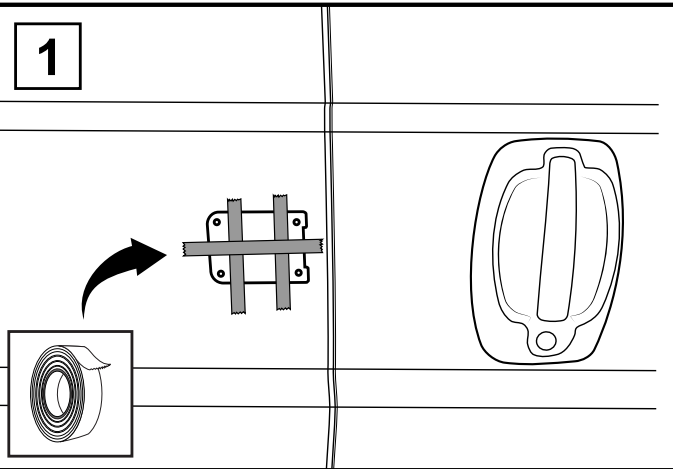


i

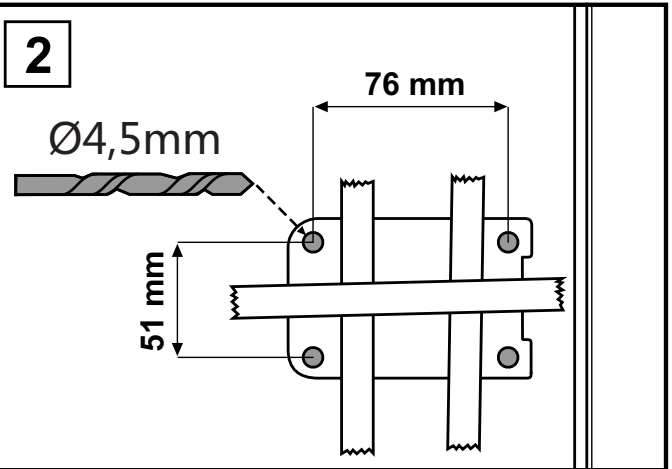


Surface mounted installation * (Read page 5 before mounting)
For sliding door, cabin doors or double rear doors of a Van.

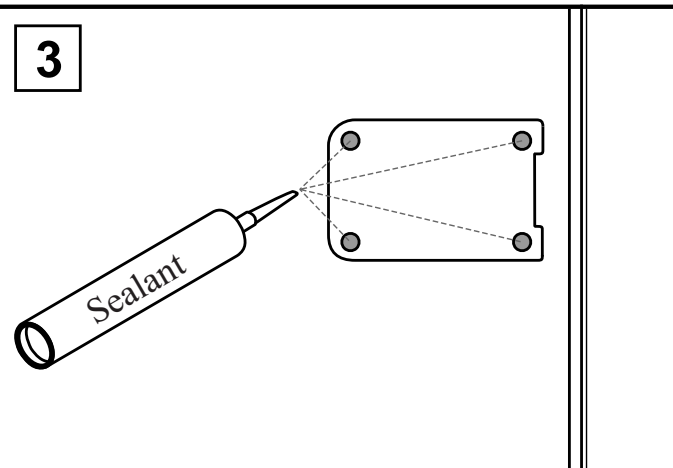
1



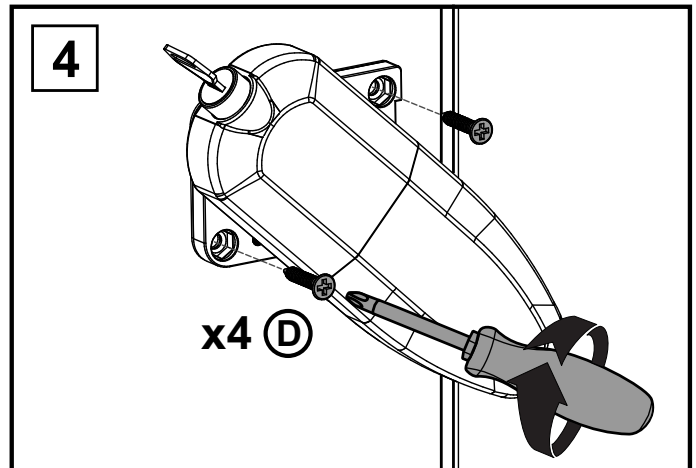
2



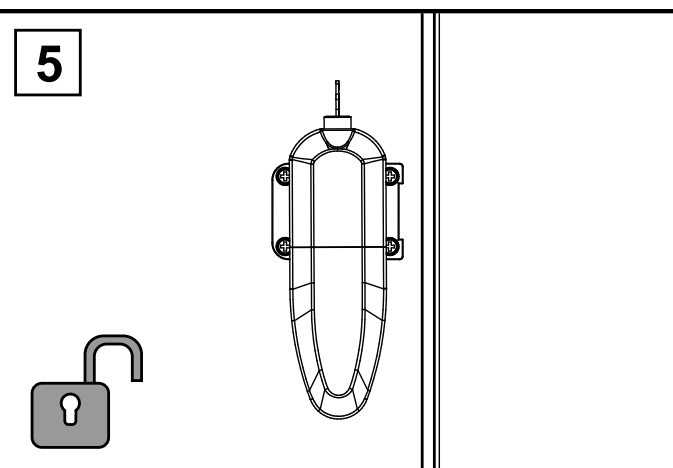
3



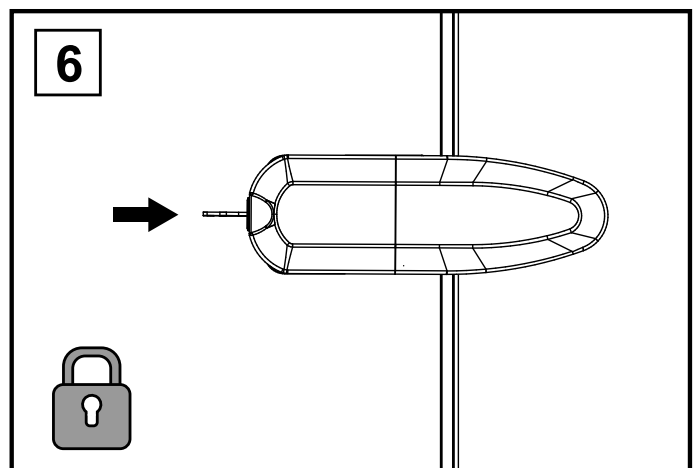
4



5

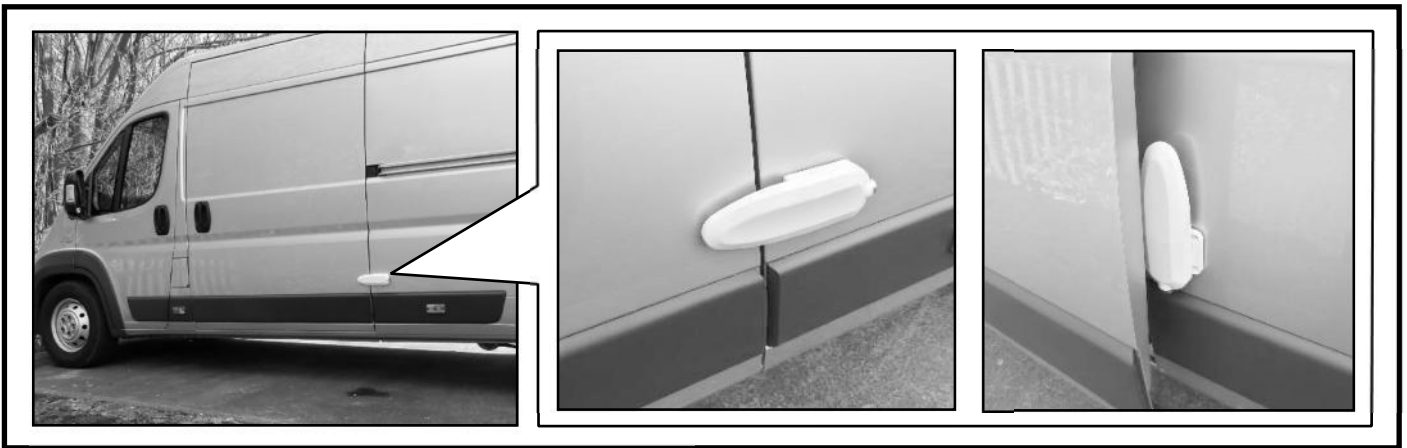


6

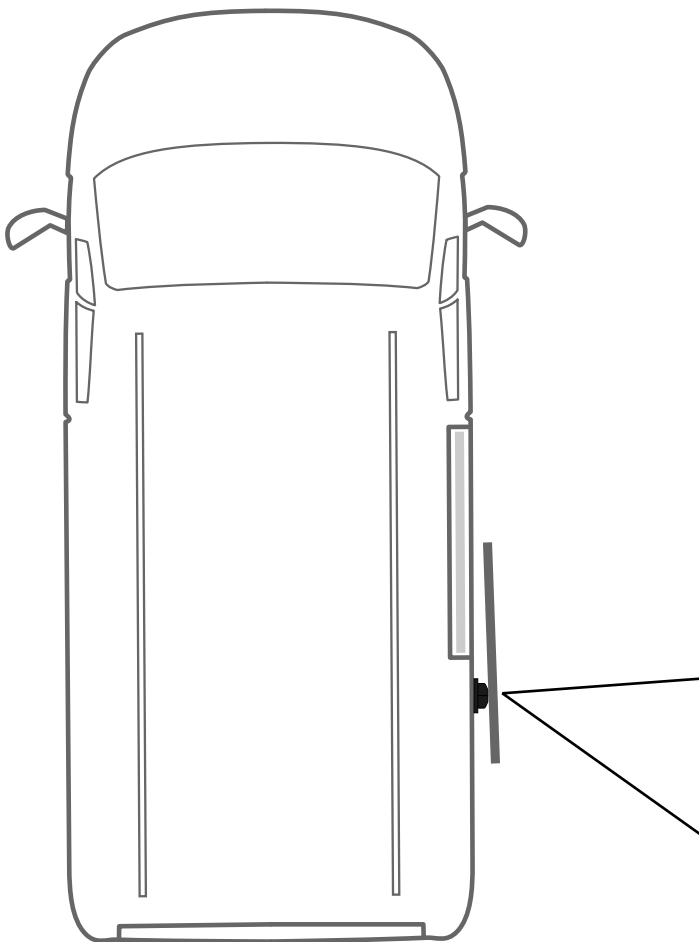




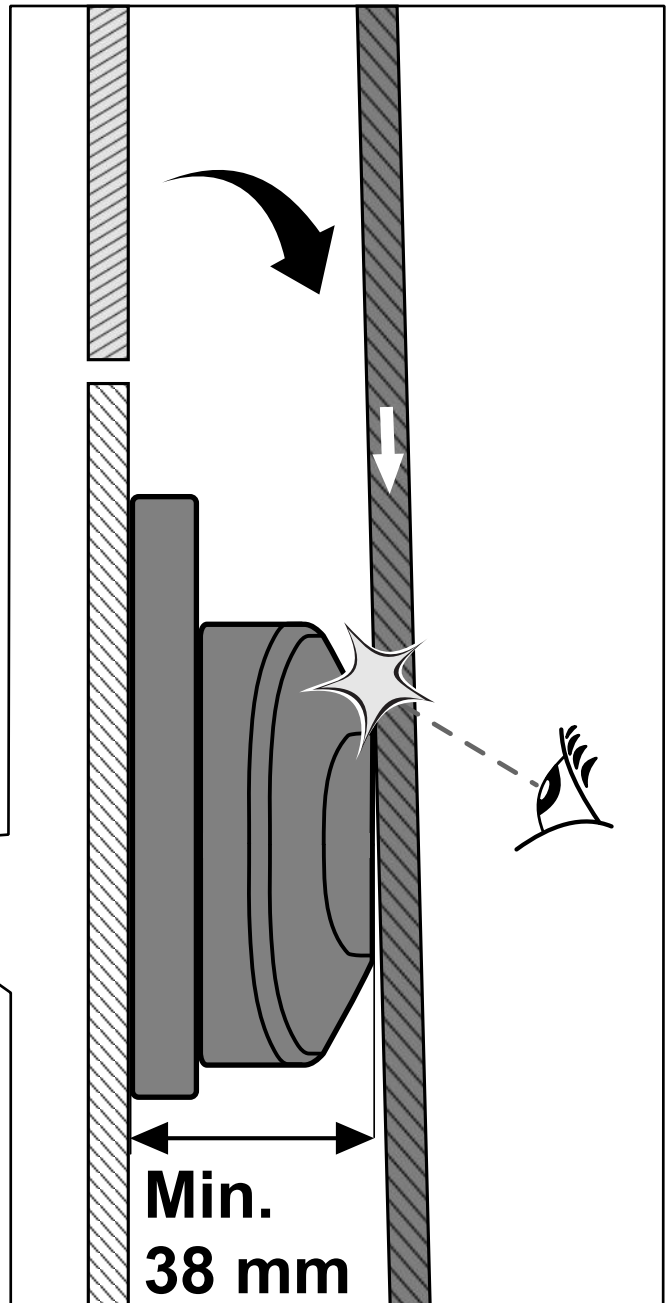
(*) Warning sliding door



i Check before installation



i In case of collision
Solutions to avoid collision,
look at page 6.





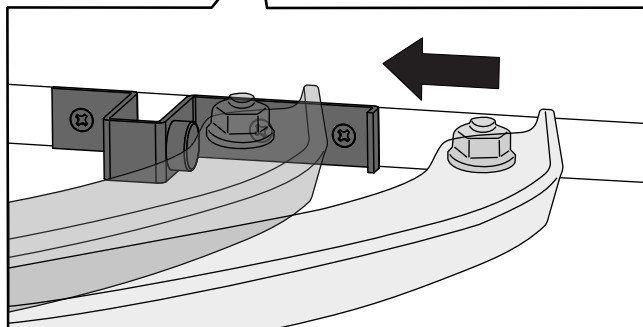
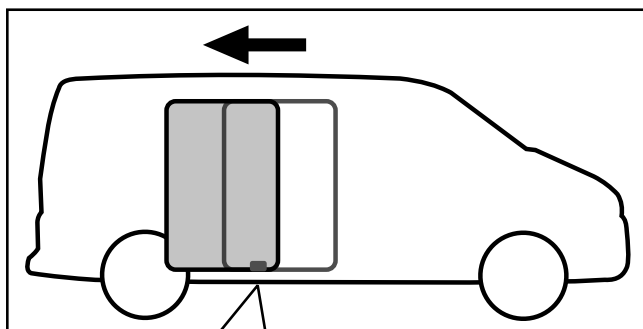
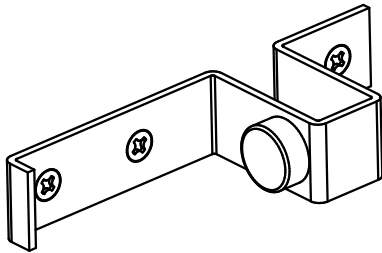
Solutions to avoid collision

In order to avoid collision between the van door and the lock. Two options are given.

A

Door stop

A door stopper can be mounted in the lower door rail. This can stop the door before collision appears between the door and the lock.



B

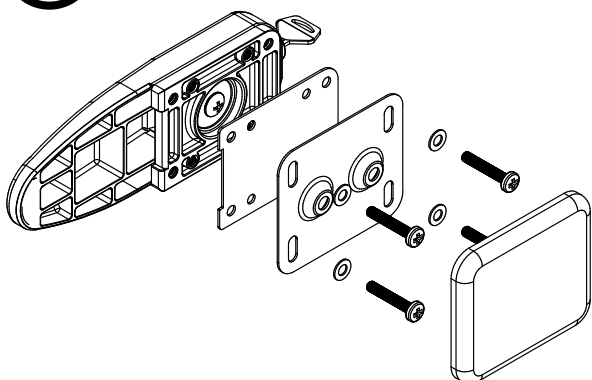
Mounting place

The lock can be mounted higher on the surface. In general there is more place inbetween the door and the lock.



1.2 Wall mounted installation

2



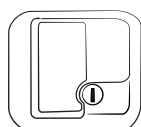
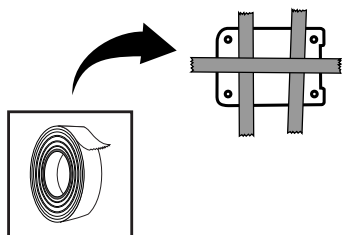
i



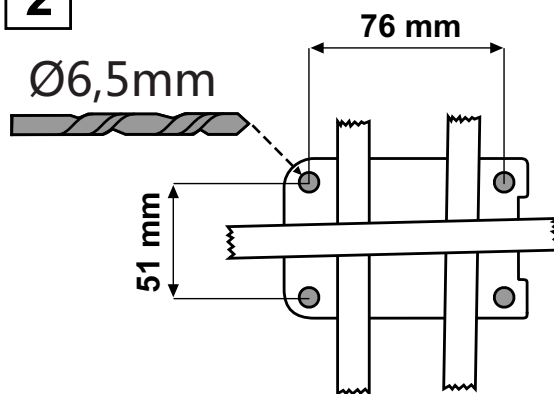
Wall mounted installation

For Motorhome or Caravan entrance door, garage door or hatches.

1

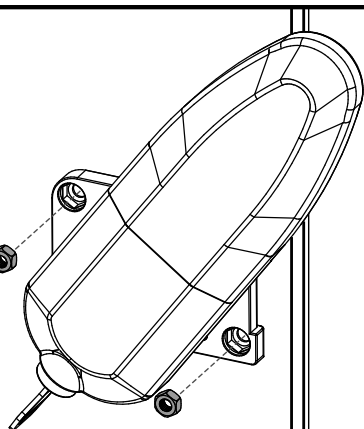


2



3

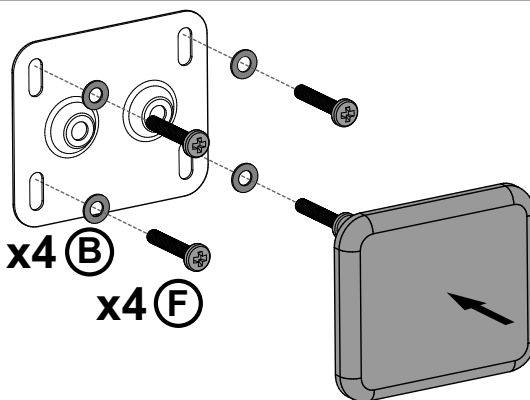
x4 (C)



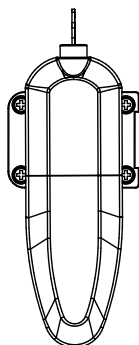
4

x4 (B)

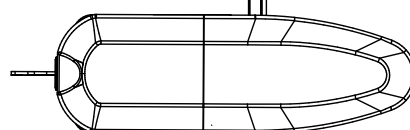
x4 (F)



5

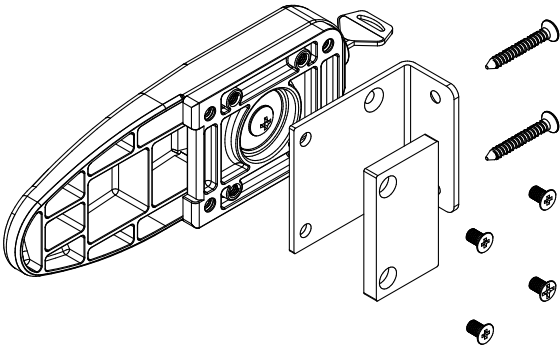


6

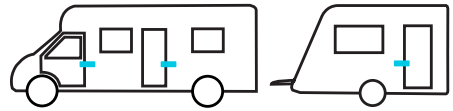


1.3 Door frame mounted installation

3



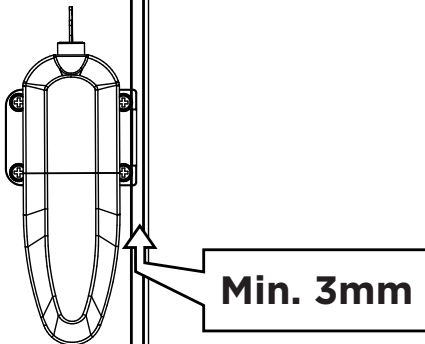
i



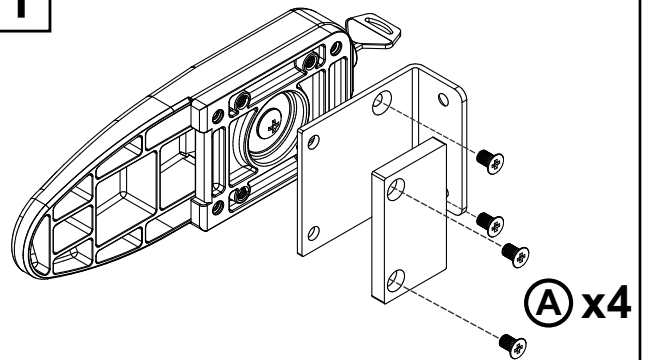
Door frame mounted installation

For Motorhome or Caravan entrance door, garage door or hatches.

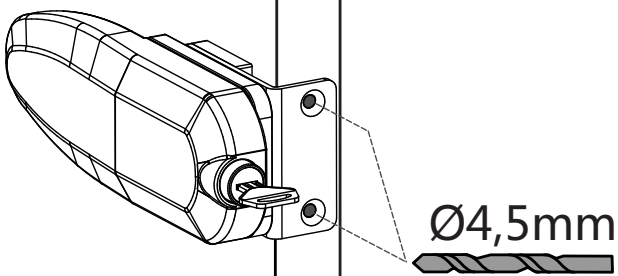
i



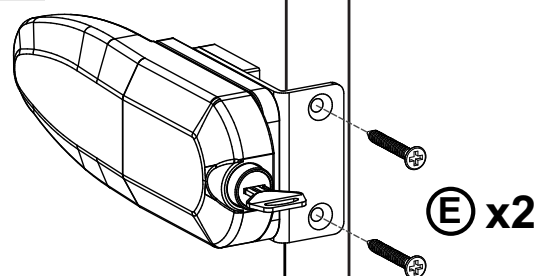
1



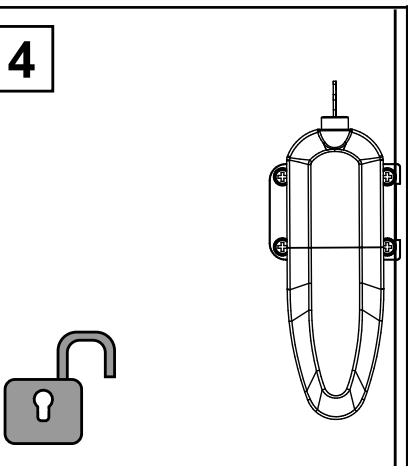
2



3



4



5

